

Features

- Activation distance is factory-set
- Chloramine and chlorine resistance on all rubber components exposed to waterway
- Engineered for optimal performance with KOHLER® commercial fixtures
- 125-micron filter protects internal components
- High back pressure vacuum breaker
- Locking stop cap provides protection against vandalism
- No external flush volume adjustment ensures water conservation
- 24-hour automatic sentinel flush keeps trapway fresh
- Mechanical override enables flushometer to be used manually even during a power outage
- Powered by a 30 year/875,000 cycle hybrid energy cell, based on 72 uses per day
- Intended for urinal installations with 1-1/4" top spud coupling connection

Material

- Brass construction with durable Polished Chrome finish

Technology

- Electronic infrared sensor with Tripoint® technology for accurate activation
- Patented piston technology for superior flush volume accuracy

Recommended Products/Accessories

K-23723 Faucet cleaner
1421939
1509698



ADA

CSA B651

OBC

Codes/Standards

ASME A112.18.1/CSA B125.1
ASSE 1037/ASME A112.1037/CSA B125.37
ADA
ICC/ANSI A117.1
CSA B651
OBC

KOHLER® One-Year Limited Warranty

See website for detailed warranty information.

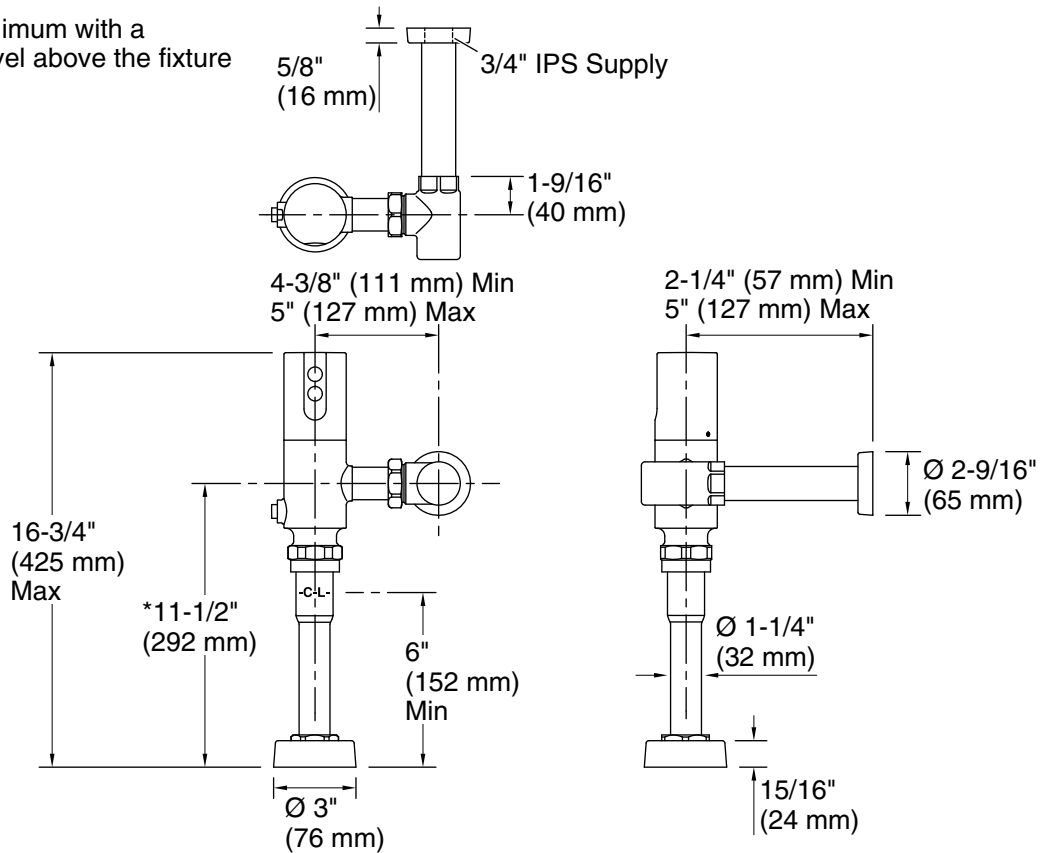
Available Colors/Finishes

Color tiles intended for reference only.

| Color | Code | Description |
|-------|------|-------------|
|-------|------|-------------|

| | | |
|---|----|-----------------|
|  | CP | Polished Chrome |
|---|----|-----------------|

*10-3/4" (273 mm) minimum with a
 6" (152 mm) critical level above the fixture



Technical Information

All product dimensions are nominal.

Power source: Hybrid Energy Cell, not included

Pressure/fixture Supply Requirements

Fixture pressure max (static): 80 psi (551.6 kPa)

Fixture pressure min (static): 25 psi (172.4 kPa)

Min flowing pressure: 25 psi (172.4 kPa)

Min flow rate: 25 gpm (94.6 lpm)

Notes

Install this product according to the installation instructions.

ADA, OBC, CSA B651 compliant when installed to the specific requirements of these regulations.